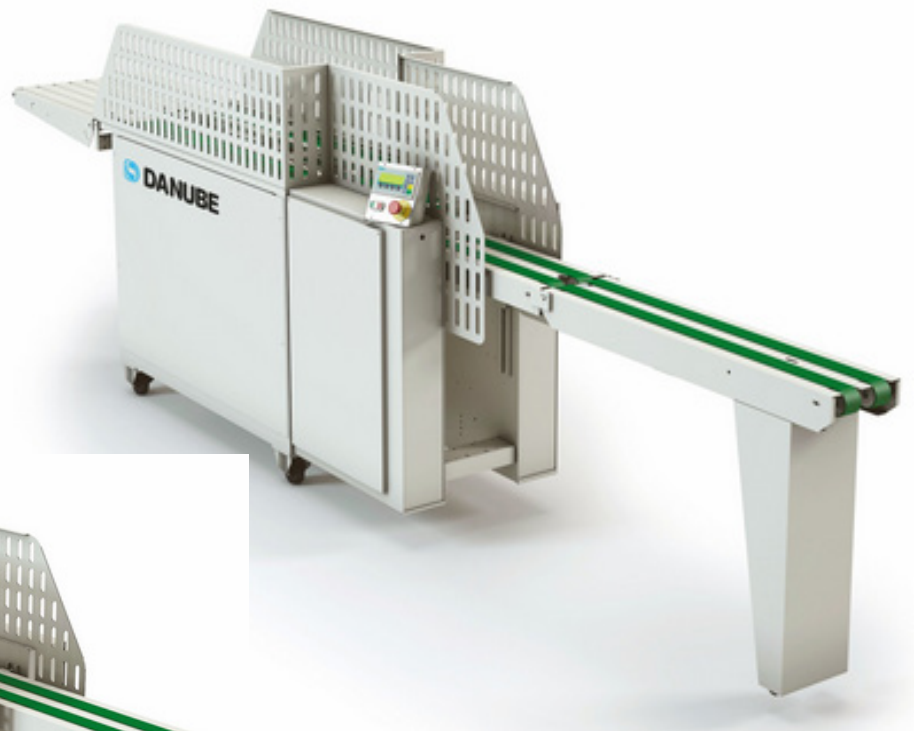
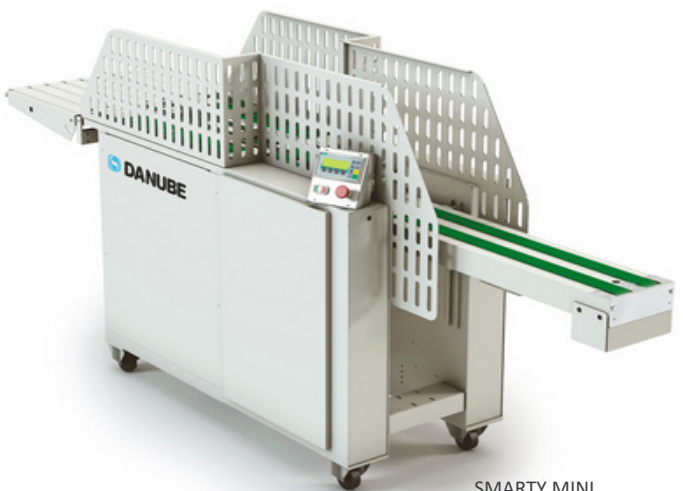


NAPKIN FOLDER

SMARTY
SMARTY MINI



SMARTY



SMARTY MINI

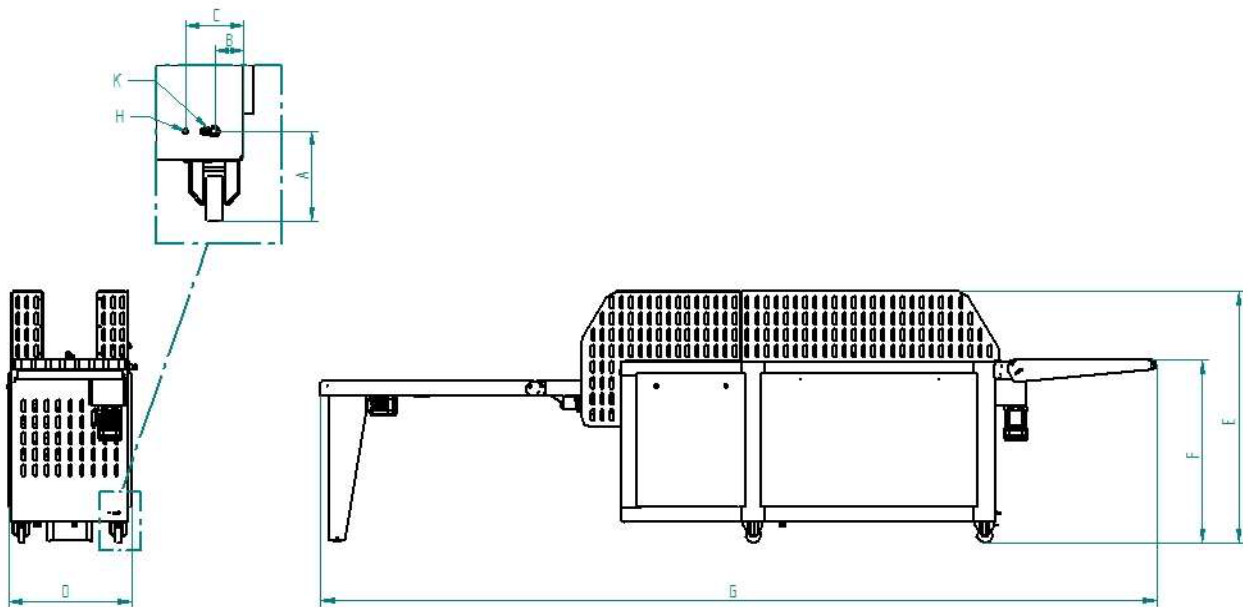


- Maximum output: around 900-1200 pieces/hour.
- Maximum linen size :
 - For SMARTY: 570 x 1000 mm
 - For SMARTY MINI: 570 x 600 mm
- Working table with vacuum unit
- PLC microprocessor, up to 20 programs, to allow to adapt of the pieces size.
- Alarms and message in display.
- Transport belts in rubber and cotton.
- Automatic measurement of linen.
- Partial or total pieces counter.

OPTIONS

- Special voltage

TECHNICAL DATA	UNIT.	SMARTY	SMARTY MINI
GENERAL DETAILS			
Min. Towel size	mm	-	-
Max. Towel size	mm	570 x 1.000	570 x 600
Output	units/h	1.200	900
Electric power	kW	1,07	0,98
Compressed air	NI/h	5.200	5.200
Net dimensions	mm	605 x 4.235 x 1.340	605 x 2.835 x 1.340
Gross dimensions	mm	650 x 3.350 x 1.540	650 x 2.860 x 1.540



K. Compressed air
H. Electrical connection

	A	B	C	D	E	F	G	K
SMARTY	160	50	100	635	1.230	970	4.310	Ø 12